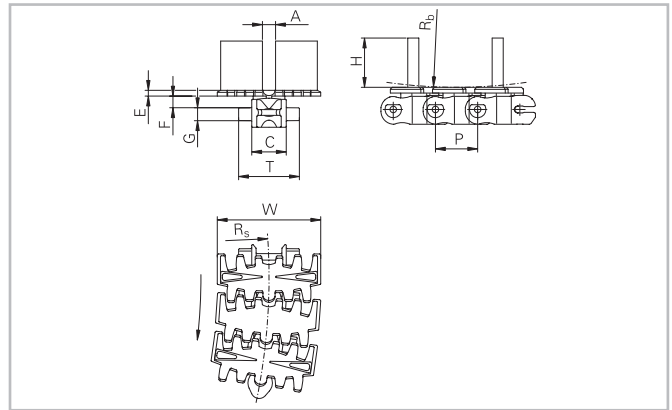


## Description

Flexi 7100F is a standard duty radius and straight running plastic chain with flight. Applications are in end-line on aluminum modular structure, including various packaging lines. The patented retaining system makes it easy to assemble and disassemble the chain with only a screwdriver. The surface has flights to allow for incline applications.



## Chain Data

Habasit code	Width W		Weight		Nominal tensile strength $F_N$		A		C		E		F		G	
	mm	inch	kg/m	lb/ft	N	lbf	mm	inch	mm	inch	mm	inch	mm	inch	mm	inch
C7100K0248PTAF	63.0	2.48	1.00	0.67	500	113	8.0	0.31	21.1	0.83	3.5	0.14	7.2	0.28	7.9	0.31
C7100K0325PTAF	82.6	3.25	1.56	1.05	1250	281	8.0	0.31	30.3	1.19	4.0	0.16	7.2	0.28	11.1	0.44
C7100K0405PTAF	103.0	4.05	2.40	1.61	1250	281	14.5	0.57	44.3	1.74	4.5	0.18	6.7	0.26	12.5	0.49

Habasit code	H		$R_b$		$R_s$		P		T		Material
	mm	inch	mm	inch	mm	inch	mm	inch	mm	inch	
C7100K0248PTAF	30.0	1.18	70	2.76	150	5.91	25.4	1.00	37.1	1.46	PT
C7100K0325PTAF	30.0	1.18	90	3.54	160	6.30	33.5	1.32	58.1	2.29	PT
C7100K0405PTAF	20.0	0.79	100	3.94	170	6.69	35.5	1.40	79.1	3.11	PT

Standard Pin material: stainless steel

- Standard packaging: 3.048 m = 10 ft with building pattern + 01, for special building pattern see Product Guide, page Nomenclature
- Photo shows building pattern + 02
- The weight specification is indicative
- Other materials on request

## Related products

- Solid Sprockets-Series 7100
- Solid Idlers-Series 7100
- Connecting kit available to connect other brands of chains:
  - C7100K0248CK
  - C7100K0325CK
  - C7100K0405CK

For further information and availability please contact your local Habasit partner.